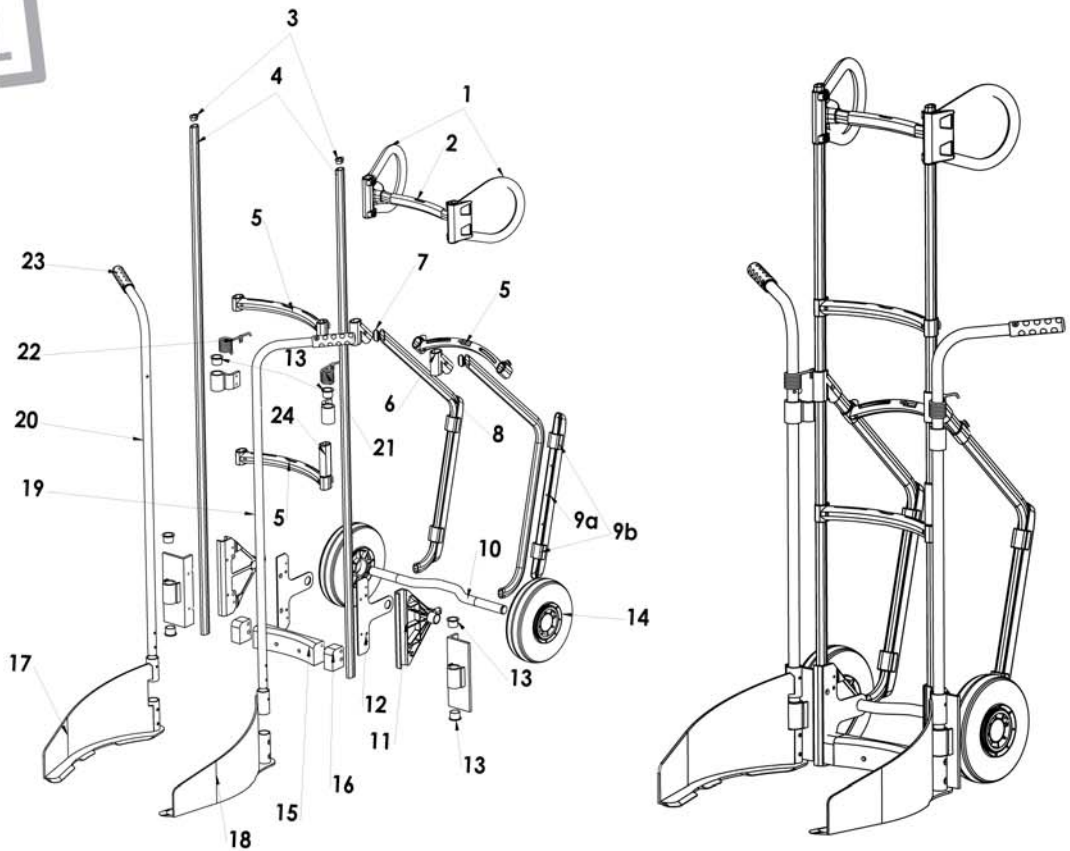


B2

Spare parts for hand truck
Type 546 810 25



THE ORIGINAL
MADE IN GERMANY



Qty.	Diagram no.	Description	Part no.
		Tyre truck, complete	546 810 25
1		Dog-ear handle	101 1 873
2		Connector for dog-ear handles	101 1 886
3		Plug for elliptical tube	101 1 872
4		Elliptical aluminium tube, 1,60 m	101 1 749
5		Crossbar <u>with</u> slip	101 1 890
6		Angle joint	101 1 887
7		Inlay for skids	101 1 888
8		Skids, complete	101 1 258
9a		EXLAN wear stripes	101 1 014
9b		1 pc. clip for wear stripes	101 1 878
10		Aluminium axle, bent, 507 mm	101 1 137
11		Axle support, big	101 1 001
12		Reinforcing piece for axle support	101 1 060

Qty.	Diagram no.	Description	Part no.
	13	Slide bearing sleeve	101 1 903
	14	Wheel no. 25, complete	880 0 025
	15	Shovel stick	101 1 039
	16	Adapter for shovel stick	101 1 056 01
	17	Shovel, right	101 1 421
	18	Shovel, left	102 1 421
	19	Handle for tyre shovel, left	201 2 570
	20	Handle for tyre shovel, right	201 2 570
	21	Leg spring, left	102 1 902
	22	Leg spring, right	101 1 902
	23	Profiled handle grip	301 3 524
	17-23	Tyre handling device, complete	1115
	24	EXPRESSO O' Marker	301 3 022BL

Sender: _____

 Department: _____
 responsible: _____

Your order no.: _____
 Your cost centre no.: _____

Date, sign/stamp

Small Goods Handling Specialists – Worldwide

DRINKTECH KFT - 2092 Budakeszi, Tiefenweg u. 10. - Magyarország
 Tel.: +36 23 457 455, Fax: +36 23 457 449, info@drinktech.hu, www.drinktech.hu