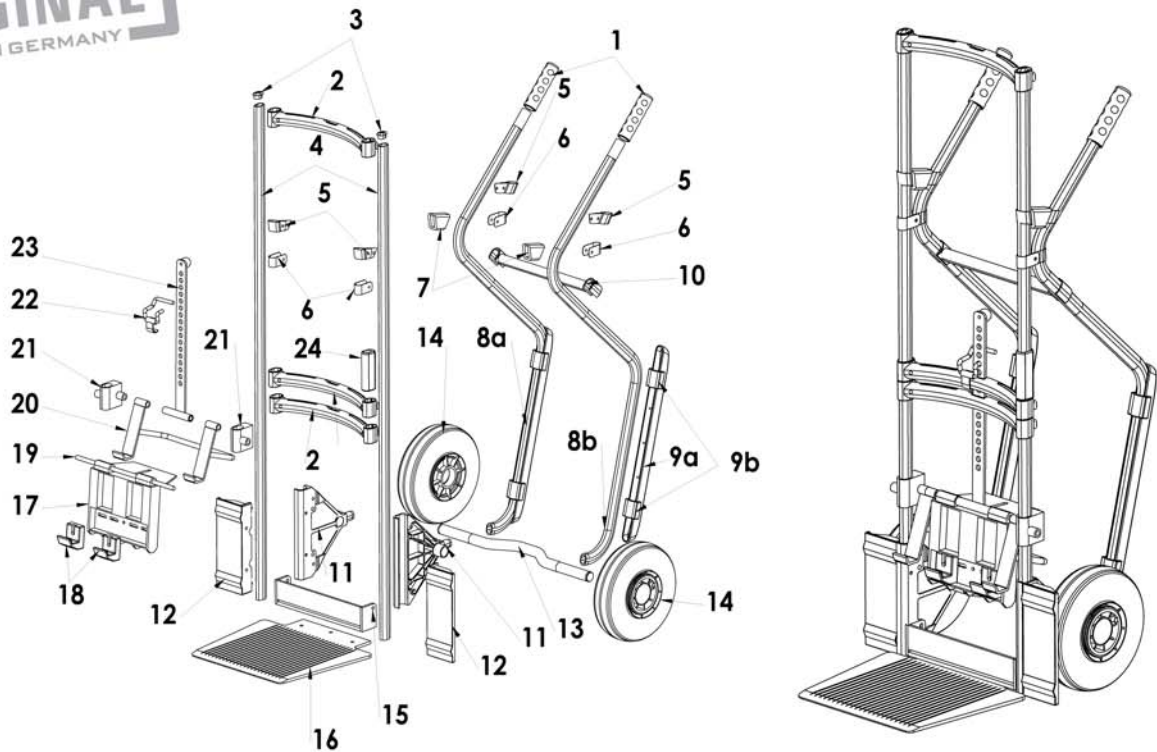


A9

Spare parts for hand truck
Type 8 215 24



THE ORIGINAL
MADE IN GERMANY



Qty.	Diagram no.	Description	Part no.
		Hand truck for secure transport of two crate stacks, complete	8 215 24
1		Profiled handle grip	301 3 524
2		Crossbar <u>with</u> slit	101 1 890
3		Plug for elliptical tube	101 1 872
4		Elliptical aluminium tube, 1,30 m	101 1 743
2-4		Frame, complete	104 1 752
5		V2A clamp	101 1 028
6		Clamp	101 1 025
7		Cover for strut connector	101 1 826
8a		Skid, right, complete	101 1 360
8b		Skid, left, complete	101 1 160
9a		EXLAN wear stripes	101 1 014
9b		1 pc. clip for wear stripes	101 1 878
10		Crossbar	101 1 852
11		Axle support, big	101 1 001

Qty.	Diagram no.	Description	Part no.
	12	Wheelguard, blue	101 1 011
	13	Aluminium axle, bent, 507 mm	101 1 137
	14	Wheel no. 24, complete	880 0 024
	15	Shovel stick	102 1 039
	16	Foot plate no. 5	101 1 435
	15+16	Shovel no. 5, aluminium	101 1 425
	17	EXLAN retainer, blue	101 1 016
	18	EXLAN hook for retainer, black	101 1 017
	19	Retainer shaft, steel 330 mm	102 1 823
	20	Steel twin-retainer	101 1 053
	21	Retainer guide, complete	101 1 814
	22	Fixture for pinched rod, complete	101 1 042
	23	Pinched rod with ball end	101 1 044
	24	EXPRESSO O'Marker	301 3 022BL

Sender: _____

Department: _____

responsible: _____

Your order no.: _____

Your cost centre no.: _____

Date, sign/stamp

Small Goods Handling Specialists – Worldwide

DRINKTECH KFT - 2092 Budakeszi, Tiefenweg u. 10. - Magyarország
Tel.: +36 23 457 455, Fax: +36 23 457 449, info@drinktech.hu, www.drinktech.hu